

ROTAPULS

Incremental Encoders

series

C58 • C59 • C60



C58-C59-C60

ENVIRONMENTAL SPECIFICATIONS

Shock:	100 g, 6 ms (acc. to MIL STD 202F)
Vibrations:	10 g, 5-2000 Hz (acc. to MIL STD 202F)
Operating temperature range:	-20°C +70°C (-4°F +158°F)
Storage temperature range:	-20°C +80°C (-4°F +176°F) (98% R.H.without condensation)
Protection:	IP64
Option:	• IP65 Protection (3000 rpm max, torque 1 Ncm)

MECHANICAL SPECIFICATIONS

Dimensions:	see drawing
Shaft hollow:	Ø 14, 15 mm
Shaft loading (axial and radial):	30 N max.
Shaft rotational speed:	6000 rpm max.
Starting torque at 20°C:	≤ 1,5 Ncm (typical)
Moment of inertia:	~30 gcm ²
Bearings life:	10 ⁹ rev. min.
Weight:	~ 0,3 kg (10,6 oz)

ELECTRICAL SPECIFICATIONS

STD pulse rate: (other PPR upon request)	2-4-5-10-12-15-16-18-20-24-25-30-35-36-39-40 45-50-60-64-70-80-90-100-120-122-125-142 150-180-200-236-250-267-270-300-314-360-400 410-433-435-471-500-600-625-628 635-720-784 800-875 900-946-1000-1024
Power supply:	+5V±5%, +10V +30V,+5V +30V
Output circuits:	Push-Pull, Line Driver, PP/LD
Output current (per channel):	40 mA max.
Output frequency:	60 kHz max.
Input current:	70 mA max.
Protection:	against inversion of polarity (except +5V version) outputs are protected against short-circuit (except Line Driver version)
Optoelectronic life:	100.000 hrs min.

MATERIALS

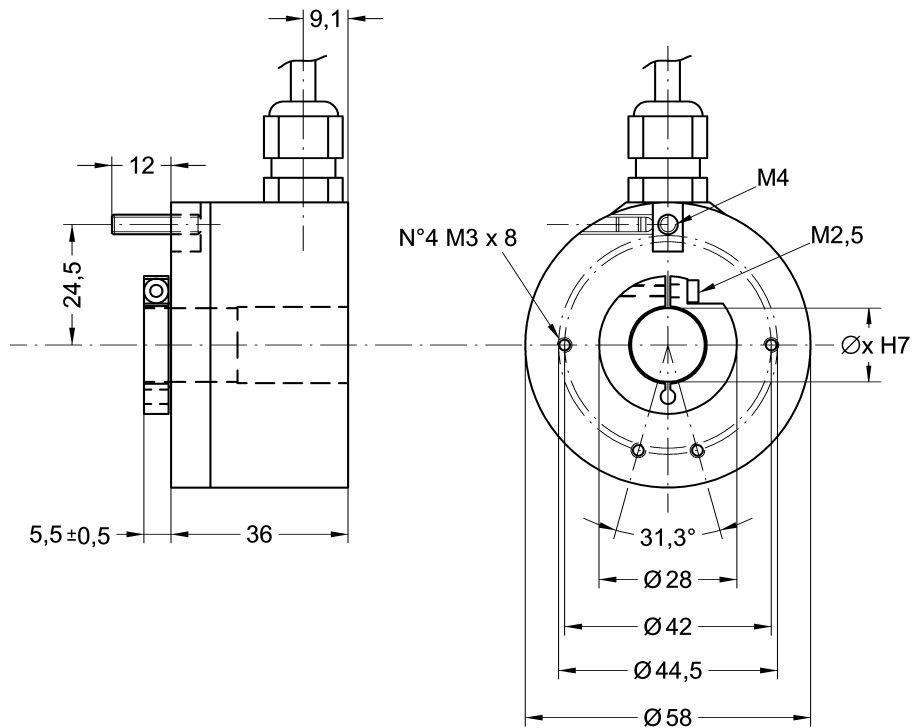
Flange:	non corroding
Housing:	non corroding
Bearings:	ABEC 5
Shaft:	stainless steel, non-magnetic
Light source:	GaAl diodes

ACCESSORIES

EDE9S:	9 pin DSub mating connector
BR1:	Reducing sleeves

Specifications subject to changes without prior notice

PH SYSTEMS - www.phsystems.be - sales@phsystems.be



C58

ORDERING CODE

ADDITIONAL CODE (indicate only if necessary)

XXXX - X - XXXX	X	X X X X	X X X
SERIES C58 - C59* - C60* * Dimensional drawing on page 65		SHAFT DIAMETER 14 14 mm 15 15 mm Reducing sleeves see on page 75	
OUTPUT CIRCUITS Push-Pull Y Line Driver AD26LS31 or eqv. L PP/LD universal circuit H		ELECTRICAL CONNECTIONS N Normal output F 5 wires cable, 1m. (3.3 ft) C Complementary outputs U 8 wires cable, 1m. (3.3 ft)	
PULSE RATE (PPR) See electrical specifications			C Inline connector DSub 9 pin
OUTPUT SIGNALS CONFIGURATION Bidirectional B Bidirectional with index pulse Z		SUPPLY VOLTAGE VS OUTPUT CIRCUIT +5V±5% (L output circuit) 1 +10V± +30V (Y output circuits) 2 +5V± +30V (PP/LD universal circuit) 4	Cable length on request Lx Ex.: L4 = 4 meters (13.2 ft) L7 = 7 meters (23.0 ft)
			P IP65 Protection