

# ROTAPULS • ROTACOD

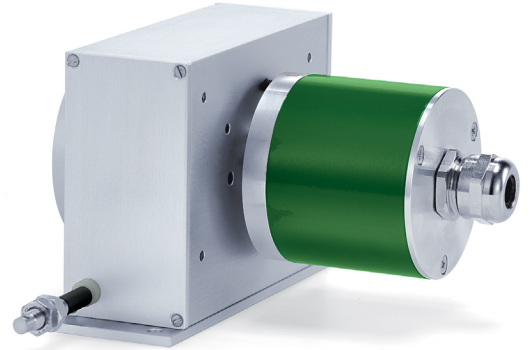
Wire actuated transducer for encoders

Series

SF-I • SF-A



- Compact and cost effective draw-wire unit for encoder
- Simple and reliable construction
- Fits incremental, absolute, analogue & fieldbus encoder
- Measurement range up to 6800 mm
- Drum circumference 200,0 or 204,8 mm



SF-I  
SF-A

## COMBINATIONS WITH ENCODERS

SF-I + CK58-H-500ZCU415R:	Incremental encoder, resolution 0,1 mm (after x 4)
SF-I + CK58-H-2000ZCU415R:	Incremental encoder, resolution 0,1 mm
SF-A + EMC5812/4096GS-15-RM2+EPFL121H:	SSI absolute encoder, resolution 0,05 mm
SF-A + EMC5812/16384PA-15-RM2:	Programmable analogue encoder
SF-A + AMC5812/4096PB-15 + CC-PB:	Profibus absolute encoder

## ENVIRONMENTAL SPECIFICATIONS

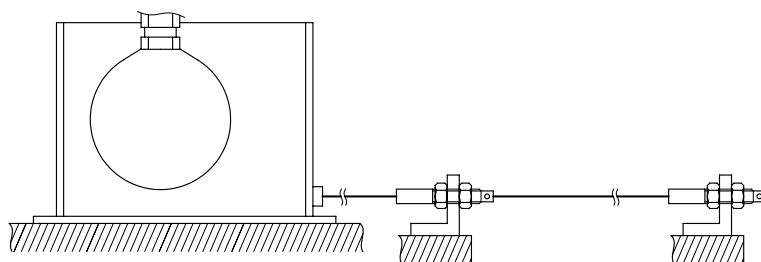
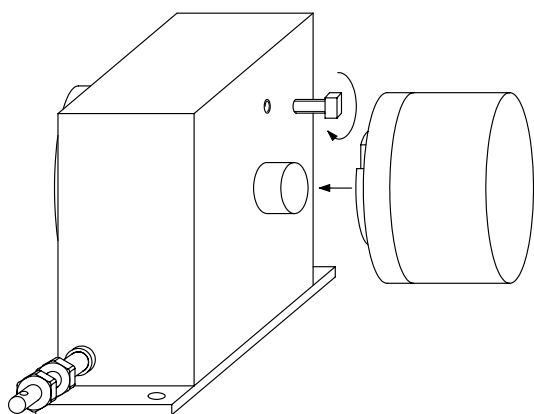
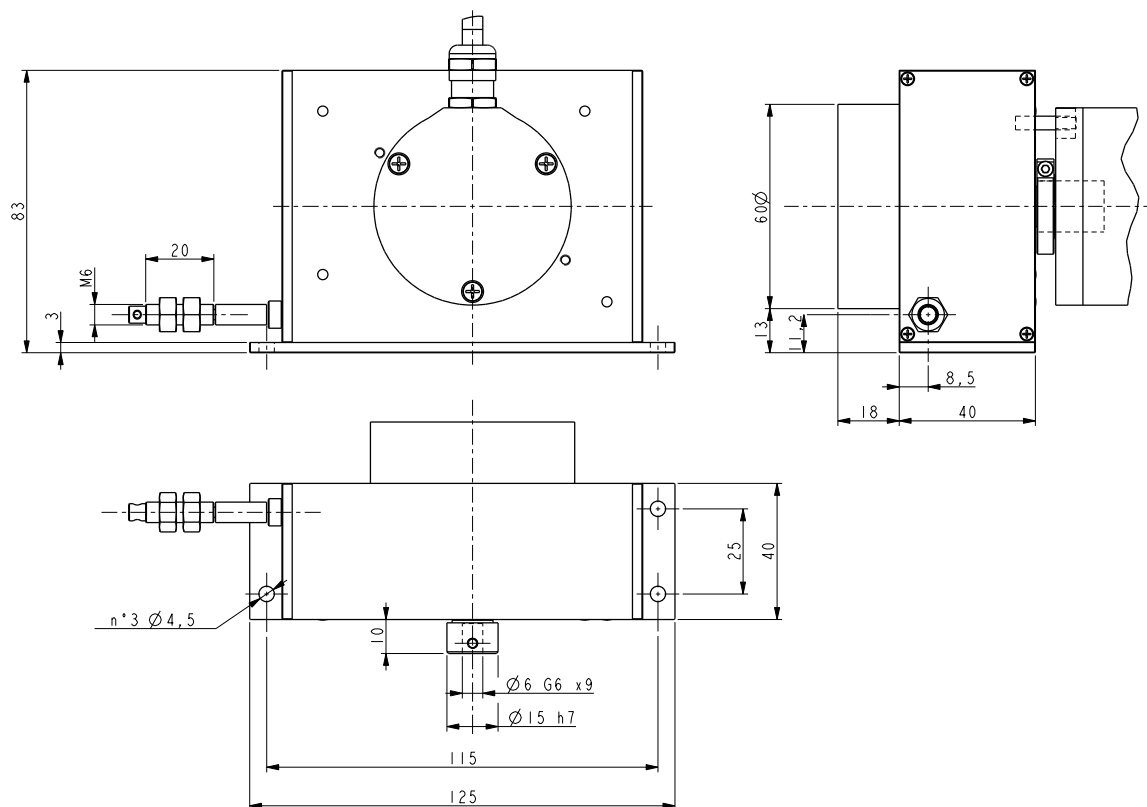
Operating temperature range:	-20°C +70°C (-4°F +158°F)
Protection:	see encoder

## MECHANICAL SPECIFICATIONS

Dimensions:	see drawing
Stroke per turn:	200 - 204,8 mm
Wire retraction force:	5 ÷ 15 N
Measuring length:	5000, 6800 mm
Measuring speed:	2,5 m/sec max.
Repeat accuracy:	± 0.15 mm
Weight:	~ 0,6 kg (without encoder)

## MATERIALS

Housing:	anodized, UNI EN AW-6082
Wire:	stainless steel, non magnetic - UNI EN 4305



SF-I  
SF-A

Order code

SF	-	X (a)	-	XXXX (b)
----	---	----------	---	-------------

(a) STROKE PER TURN  
I = 200 mm  
A = 204,8 mm

(b) MEASURING LENGTH  
5000 = 5000 mm  
6800 = 6800 mm